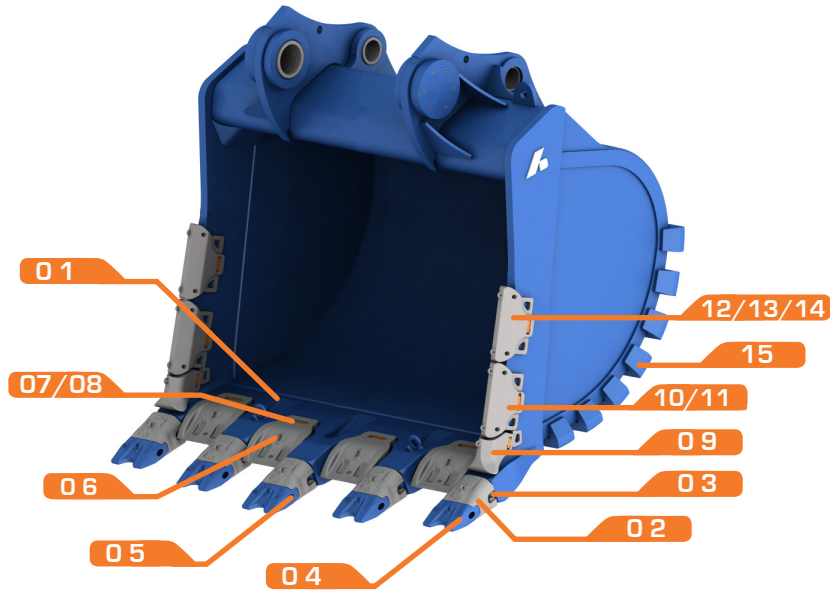


CAT6060 (RH340)

STANDARD PLATFORM OFFERING

GET & BUCKETS

34m³ Bucket



Item	Part No.	Description	Qty.	Mass	
				kg	lb
	BMT340CL34.0-1	34m ³ Avalanche CAT6060 Bucket	1	31,394*	69,212*
01	PCL30-4140	Penetrator Cast Lip	1	7,441	16,405
02	PA30P22H	Penetrator ^{max} Adapter	5	221	487
03	PLP30HA-B	Penetrator ^{max} Pin	5	10	22
04	PP22PT	Penetrator ^{max} Point	5	94	207
05	PLP22HB	Penetrator ^{max} Point Pin	5	8	18
06	DELCB30-2B	Defender Lip Shroud	4	397	875
07	DCB-1	Defender Boss	4	4	9
08	DCP	Defender Pin	4	5	11
09	DEWA135-1	Defender Lower Wing Shroud	2	29	64
10	DAB	Defender A Series Boss	4	1	2
11	DAP	Defender A Series Pin	4	1	2
12	DEWB120X760-1	Defender Upper Wing Shroud	4	168	370
13	DBB	Defender B Series Boss	8	2	4
14	DBPA	Defender B Series Pin	8	3	6
15	BK6697-7	Heel Block	14	82	181

* Mass is inclusive of GET



CAT6060 (RH340)

PRODUCT OVERVIEW

Ground Engaging Tools (GET) & Buckets

Bradken produces a series of comprehensive ground engaging tools (GET), associated wear parts, buckets and dragline rigging components to fit front-end loaders, hydraulic excavators and dragline machines. With a number of fabrication and maintenance workshops in key mining regions, we are well equipped to provide comprehensive aftermarket support.



Bradken **Avalanche™** Excavator buckets are designed to meet customers' production requirements and are engineered to suit OEM connections without the need for modification. Buckets for the Caterpillar® 6060 (RH340) are sized on material density and/or target truck fleet with customisation at the forefront ensuring it meets your production and maintenance requirements.



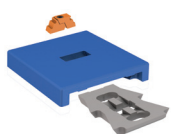
The **Penetrator^{max}** system is designed to fit onto Bradken's **Penetrator** cast lip nose or an OEM nose, utilising a Bradken designed and manufactured adapter, point and hammer free locking pin system.



Bradken's **Penetrator** system is designed to fit onto Bradken's **Penetrator** cast lip nose, with a large range of points available that are attached to the adapter using a vertical hammered locking pin.



The **Defender™** range is designed to meet the world's toughest digging conditions. The shroud system will fit a wide array of mining excavator, face shovel, front end loader and construction machines using plate and cast lips.



Bradken's hammer free **Guardian™** System is designed to protect your machine fleet from excess wear. A wide range of wear runners offers flexibility and choice for your wear protection requirements. Runners are ready to fit on delivery utilising the hammerless removal tool.

Fixed Plant

Bradken aims to supply technically advanced wear solutions to the global market. Our Fixed Plant specialists are focused on developing products and services to meet customer aspirations. Our products include chromium carbide overlay, white iron block brazed to mild steel, ceramic/polyurethane, ceramic/rubber, nickel chromium white iron, quench and tempered steel, ceramic filled epoxy wear compounds and an ever increasing range.

Undercarriage Components

Bradken offers a full range of undercarriage componentry that is sold to original equipment manufacturers and mining operations globally. Our products include crawler shoes, sprockets, idlers and rollers for mining class electric shovels and hydraulic excavators.